

A product of Decrownies Electronics

**+234-81-66-5555-63**



[www.decrownieselectronics.com](http://www.decrownieselectronics.com)



Decrownies electronics



@Decrownies



Decrownies Automation Technologies  
**USER AND INSTALLATION MANUAL**

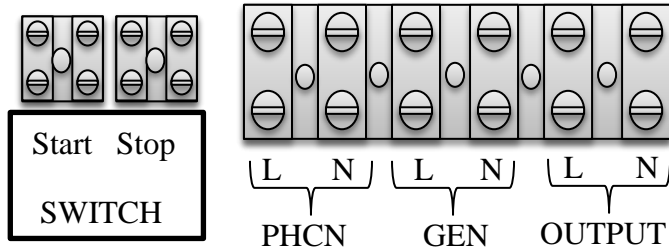
FOR

✓ **DEC/ATS200**

✓ **DEC/ATS203**

## INSTALLATION INSTRUCTIONS

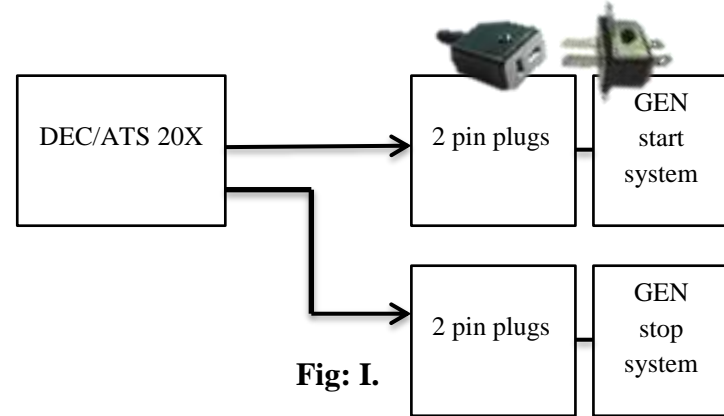
1. Mark positions where you will like to hang the device on the wall. Drill a 0.6mm diameter hole at each of the marked positions on the wall. Insert fisher pegs into the drilled holes
2. Connect the wiring of the home to the device as illustrated below



3. Connect wires from the terminal labeled start in the above diagram to the start system of the generator using male and female two-pin plugs placed very close to the generator.
4. Connect wires from the terminal labeled stop in the above diagram to the stop system of the generator using male and

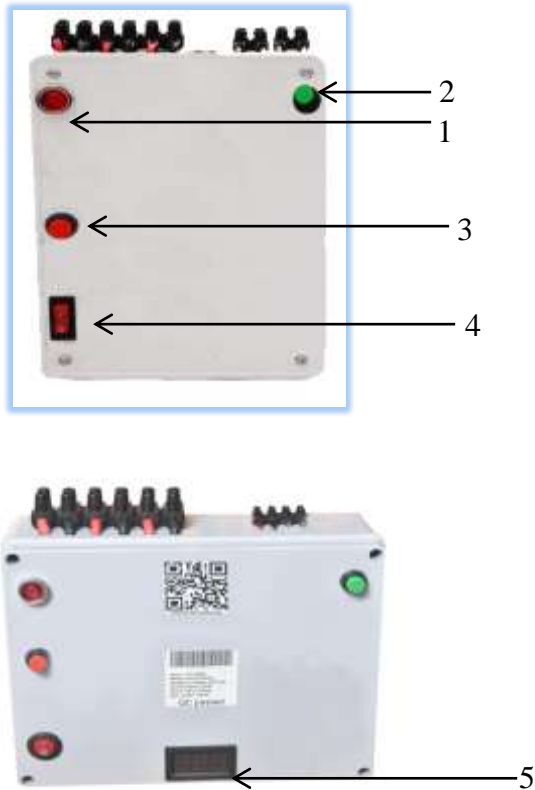
female two-pin plugs placed very close to the generator.

5. Open the circular vents (If any) on the sides of the box to allow for ventilation



**Fig: I.**

## USER INSTRUCTIONS



**Fig. 1.**

## DEVICE DESCRIPTION

1. Generator indicator
2. Generator start switch
3. Generator stop switch
4. Auto-stop enable & PHCN indicator
5. Output voltage display

### **Switching on your Generator**

To switch on your generator, press the green button (item 2 in Fig 1.). After switching on, the generator indicator (item 1 in Fig. 1) will show a red light indicating that your home is on generator supply.

### **Switching off your Generator**

To switch off your generator from the comfort of your room, press the generator off switch (item 3 in Fig. 1) until the generator indicator goes off.

## **Enabling/ Disabling Auto-stop mode**

Enabling auto-stop mode will make the device changeover automatically from GEN to PHCN when there is PHCN supply and also automatically switch off the GEN.

To enable auto-stop mode, press the auto-stop mode switch (item 4 in Fig. 1) to the up direction as shown in Fig. 2



**Fig 2:** On Position

To disable auto-stop mode, press the auto-stop switch (item 4 in Fig. 1) to the down direction as shown in Fig. 3



**Fig 3:** Off position